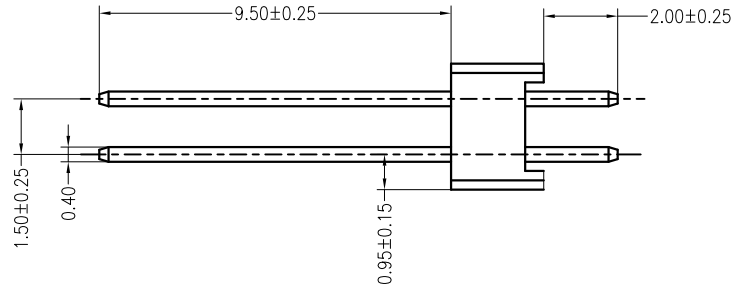
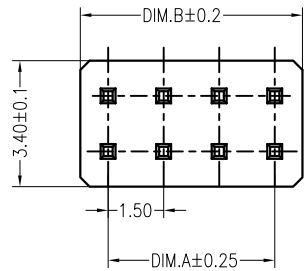


Customized products

MOQ

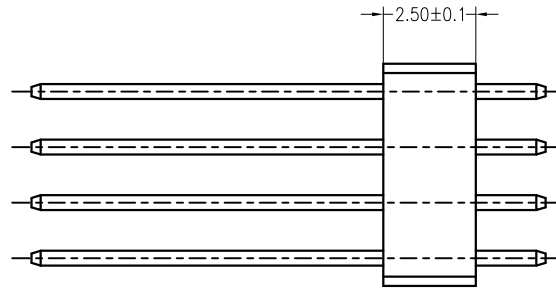
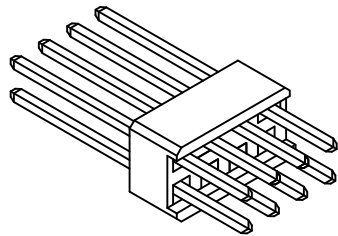
50000PCS

REV	DESCRIPTION	DESIGN	DATE
X0	NEW RELEASE	蒋建银	2019/08/16

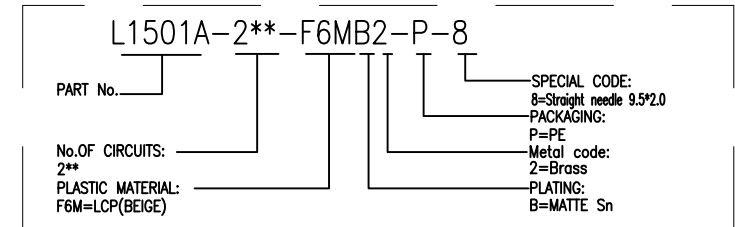


**Specifications:**

- Poles: 04 to 16
- Contact resistance:  $\leq 30m\Omega$
- Insulation resistance:  $\geq 500M\Omega$
- Rated voltage: 250V AC DC
- Rated current: 1.0A AC DC
- Withstand Voltage: 500V AC/minute
- Temperature Range:  $-40^{\circ}C \sim +110^{\circ}C$
- Housing: LCP UL94V-0, Natural (Beige)
- Contacts: Brass/MATTE Sn-plated

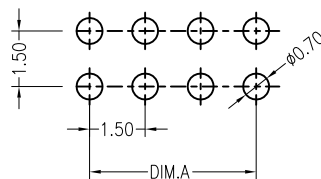


**ORDER INFORMATION:**



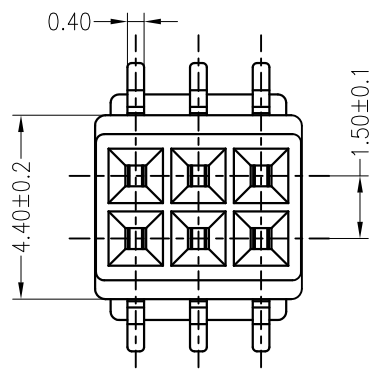
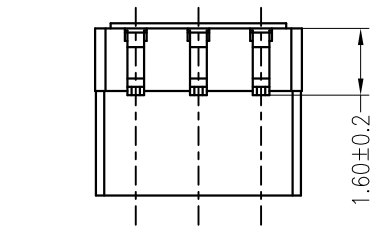
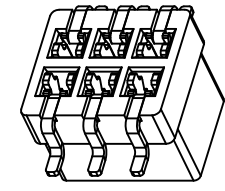
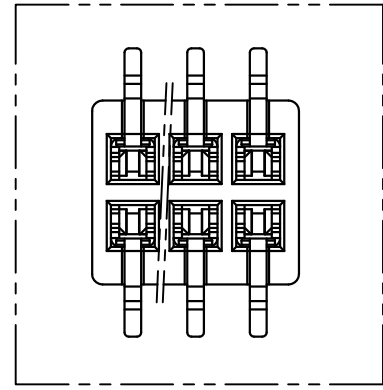
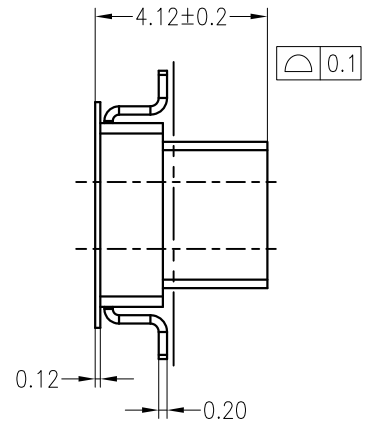
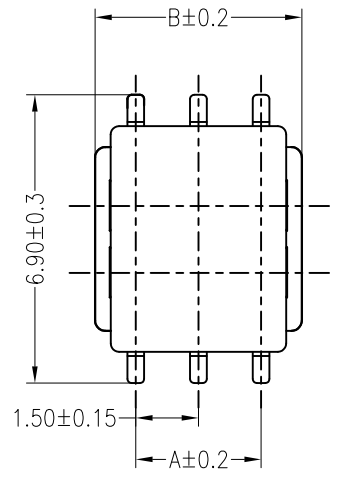
PIN.	DIM A	DIM B
2*2	1.50	3.00
2*3	3.00	4.50
2*4	4.50	6.00
2*5	6.00	7.50
2*6	7.50	9.00
2*7	9.00	10.50
2*8	10.50	12.00

**PCB LAYOUT**

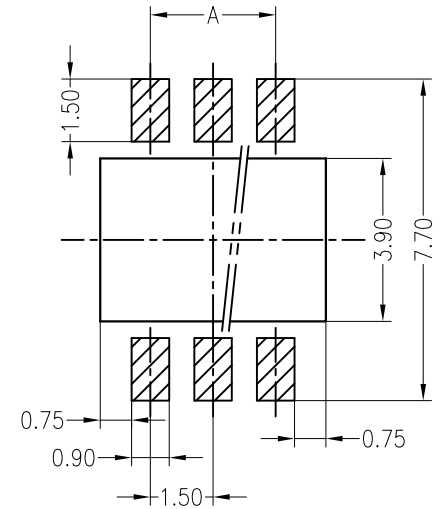


<b>東莞市高迪電子有限公司</b> DONG GUAN GAO DI ELECTRONICS CO., LTD		TITLE: 1.5mmPitch 180°wafer dip type	
		PART NO.: L1501A-2**-F6MB2-P-8	
GENERAL TOLERANCE		USE: CUSTOMER	
X. ±0.50	X. ±5°	APPD: 刘振岭	
X.X ±0.30	X.X ±2°	CHKD: 王亮	
X.XX ±0.20	X.XX ±1°	DR: 蒋建银	
UNITS: mm		SCALE 1 : 1	SHEET 1 / 1

REV	ECN No.	DESCRIPTION	DESIGN	DATE
B	-	Release	-	2021.01.29



PCB LAYOUT



PIN.	DIM A	DIM B
2*2	1.50	3.50
2*3	3.00	5.00
2*4	4.50	6.50
2*5	6.00	8.00
2*6	7.50	9.50
2*7	9.00	11.00
2*8	10.50	12.50

主要技术参数 Main Specifications

线 数 (Poles): 04 to 16  
 接触电阻 (Contact resistance):  $\leq 30m\Omega$   
 绝缘电阻 (Insulation resistance):  $\geq 500M\Omega$   
 额定电压 (Rated voltage): 250V AC DC  
 额定电流 (Rated current): 1.0A AC DC  
 耐 电 压 (Withstand Voltage): 500V AC/minute  
 温度范围 (Temperature Range):  $-40^{\circ}C \sim +110^{\circ}C$

ORDER INFORMATION:

**L1501AFV-2\*\*-F6MB1-R**

PART No. \_\_\_\_\_  
 No.OF CIRCUITS: \_\_\_\_\_  
 PLASTIC MATERIAL: F6M=LCP(BEIGE)

PACKAGING: R=REEL  
 Metal code: 1=PhosphorBronze  
 PLATING: B=MATTE Sn

C	MYLAR	1 PCS		
B	CONTACT	n PCS	PhosphorBronze	Sn-plated
A	HOUSING	1 PCS	LCP	UL 94V-0, COLOR:BEIGE
ITEM	COMPONENT	Q'TY	MATERIAL	FINISH

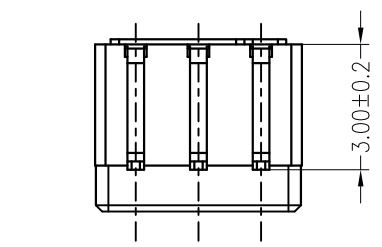
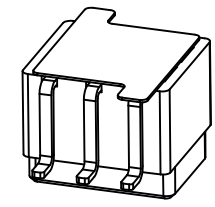
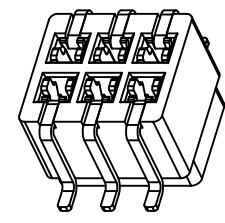
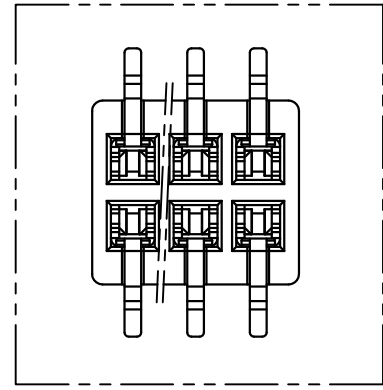
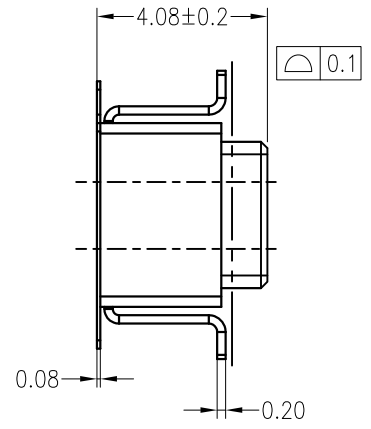
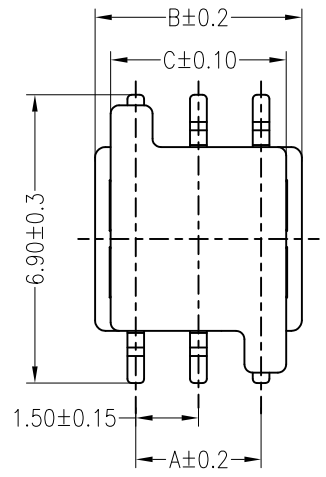
**东莞市高迪电子有限公司**  
**DONG GUAN GAO DI ELECTRONICS CO., LTD**

TITLE: L1501AFV  
 -

X.±0.5	X.±5'	USE:	CUSTOMER	
.X±0.3	.X±2'	APPD:	邵敬和	
.XX±0.25	.XX±1'	CHKD:	田峰	
--	--	DR:	蒋建银	
UNITS: mm		SCALE	1 : 1	SHEET 1 / 1

PART NO.: L1501AFV-2\*\*-F6MB1-R  
 DWG NO.: -GCKH-1172

REV	ECN No.	DESCRIPTION	DESIGN	DATE
A0	-	Release	-	2018.06.11
A1		增大麦拉解决抛料问题	蒋建银	2020.05.30

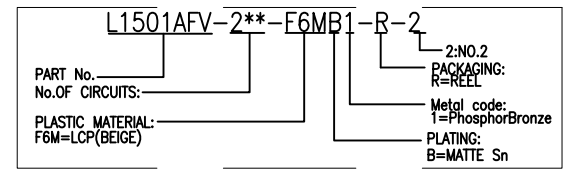


PIN.	DIM A	DIM B	DIM C
2*2	1.50	3.50	3.50
2*3	3.00	5.00	A1 4.20
2*4	4.50	6.50	
2*5	6.00	8.00	
2*6	7.50	9.50	
2*7	9.00	11.00	
2*8	10.50	12.50	

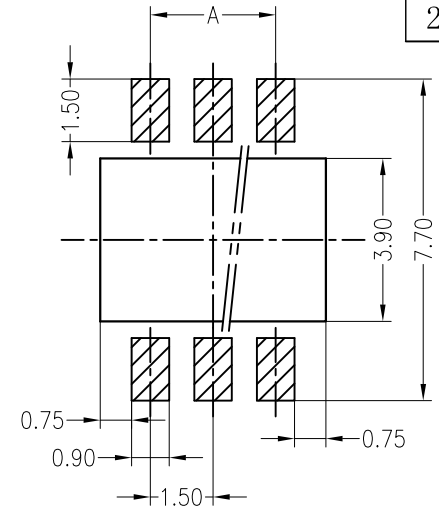
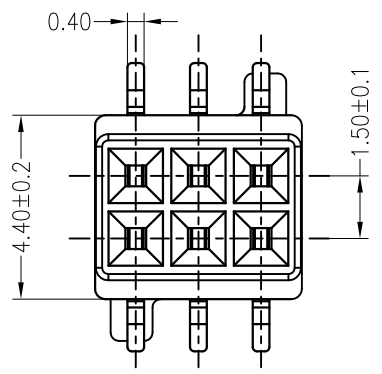
### 主要技术参数 Main Specifications

线数 (Poles): 04 to 16  
 接触电阻 (Contact resistance):  $\leq 30m\Omega$   
 绝缘电阻 (Insulation resistance):  $\geq 500M\Omega$   
 额定电压 (Rated voltage): 250V AC DC  
 额定电流 (Rated current): 1.0A AC DC  
 耐电压 (Withstand Voltage): 500V AC/minute  
 温度范围 (Temperature Range):  $-40^{\circ}C \sim +110^{\circ}C$


### ORDER INFORMATION:



### PCB LAYOUT



C	MYLAR	1 PCS		
B	CONTACT	n PCS	PhosphorBronze	MATTE Sn-plated
A	HOUSING	1 PCS	LCP	UL 94V-0, COLOR:BEIGE
ITEM	COMPONENT	Q'TY	MATERIAL	FINISH

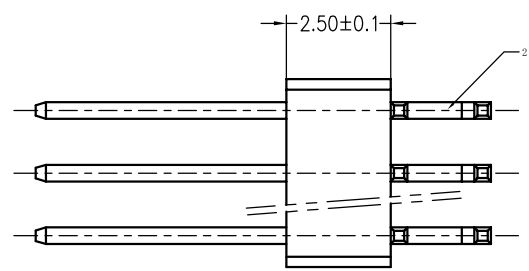
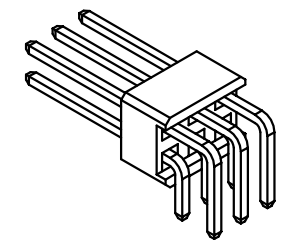
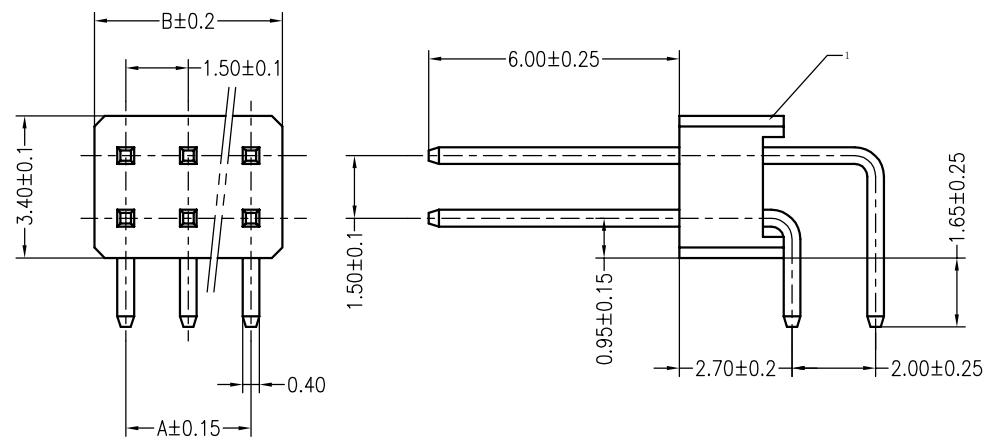

**东莞市高迪电子有限公司**  
 DONG GUAN GAO DI ELECTRONICS CO., LTD

TITLE: -  
 PART NO.: L1501AFV-2\*\*-F6MB1-R-2  
 DWG NO.: GCKH-1179  
 SCALE: 1 : 1  
 SHEET: 1 / 1

X.±0.5	X.±5'	USE:	CUSTOMER
.X±0.3	.X±2'	APPD:	王锋
.XX±0.25	.XX±1'	CHKD:	方松乐
--	--	DR:	蒋建银

UNITS: mm

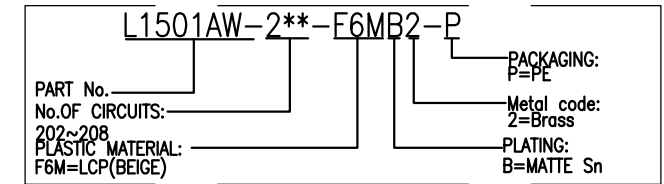
REV	ECN No.	DESCRIPTION	DESIGN	DATE
A0		Release		2018.06.11



### 主要技术参数 Main Specifications

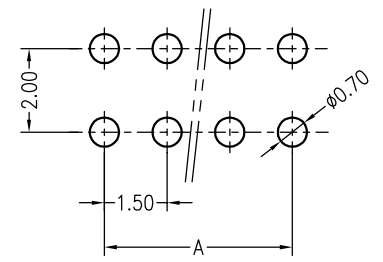
- 线数 (Poles): 04 to 16
- 接触电阻 (Contact resistance):  $\leq 30m\Omega$
- 绝缘电阻 (Insulation resistance):  $\geq 500M\Omega$
- 额定电压 (Rated voltage): 250V AC DC
- 额定电流 (Rated current): 1.0A AC DC
- 耐电压 (Withstand Voltage): 500V AC/minute
- 温度范围 (Temperature Range):  $-40^{\circ}C \sim +110^{\circ}C$

#### ORDER INFORMATION:



PIN.	DIM A	DIM B
2*2	1.50	3.00
2*3	3.00	4.50
2*4	4.50	6.00
2*5	6.00	7.50
2*6	7.50	9.00
2*7	9.00	10.50
2*8	10.50	12.00

### PCB LAYOUT



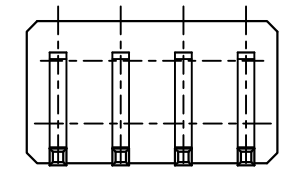
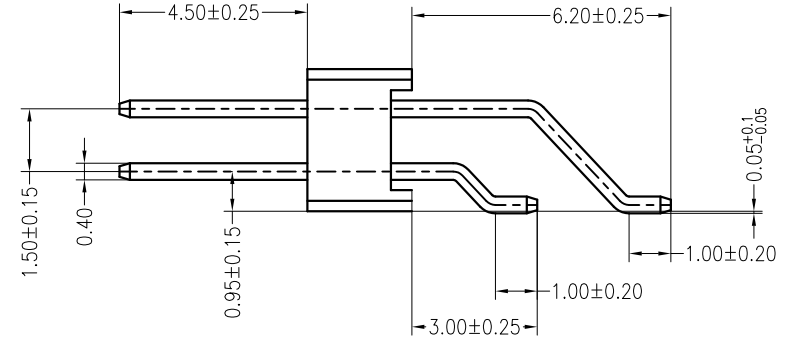
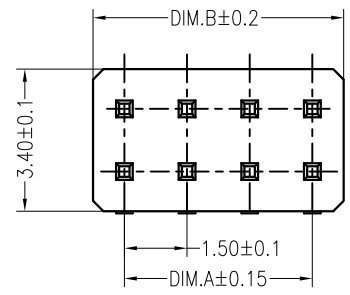
ITEM	COMPONENT	Q'TY	MATERIAL	FINISH
C				
B	CONTACT	4~16 PCS	Brass	MATTE Sn-plated
A	HOUSING	1 PCS	LCP	UL 94V-0, COLOR:BEIGE

**东莞市高迪电子有限公司**  
DONG GUAN GAO DI ELECTRONICS CO., LTD

USE: CUSTOMER  
APPD: 谭龙清  
CHKD: 田峰  
DR: 蒋建银

TITLE: -  
PART NO.: L1501AW-2\*\*-F6MB2-P  
DWG NO.: GCCP-1173  
SCALE: 1:1  
SHEET: 1/1

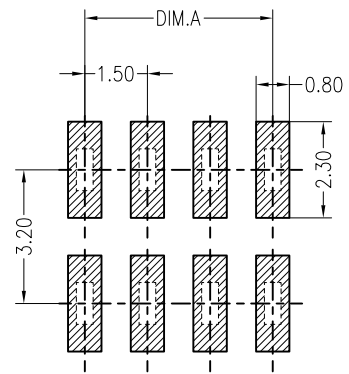
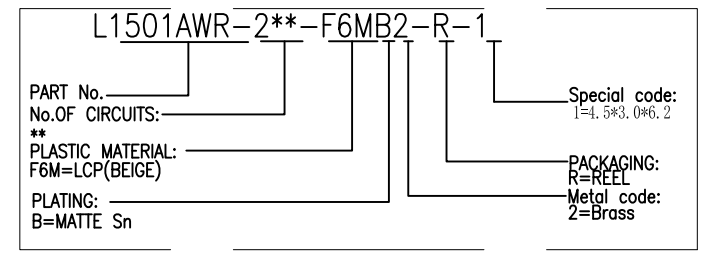
REV	ECN No.	DESCRIPTION	DESIGN	DATE
AO	-	Release	蒋建银	2018.10.30



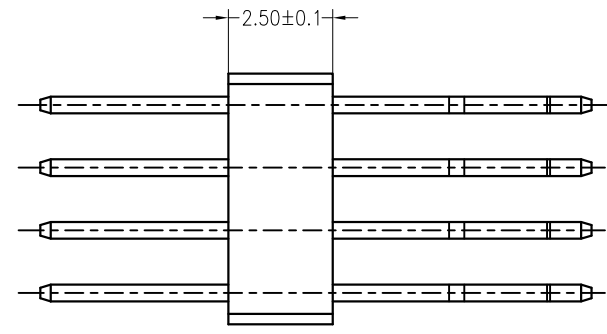
### 主要技术参数 Main Specifications

- 线 数 (Poles): 04 to 16
- 接触电阻 (Contact resistance):  $\leq 30m\Omega$
- 绝缘电阻 (Insulation resistance):  $\geq 500M\Omega$
- 额定电压 (Rated voltage): 250V AC DC
- 额定电流 (Rated current): 1.0A AC DC
- 耐 电压 (Withstand Voltage): 500V AC/minute
- 温度范围 (Temperature Range):  $-40^{\circ}C \sim +110^{\circ}C$

### ORDER INFORMATION:



ROMMENDED PCB LAYOUT  
TOLERANCE  $\pm 0.05$



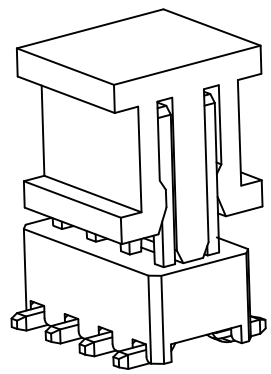
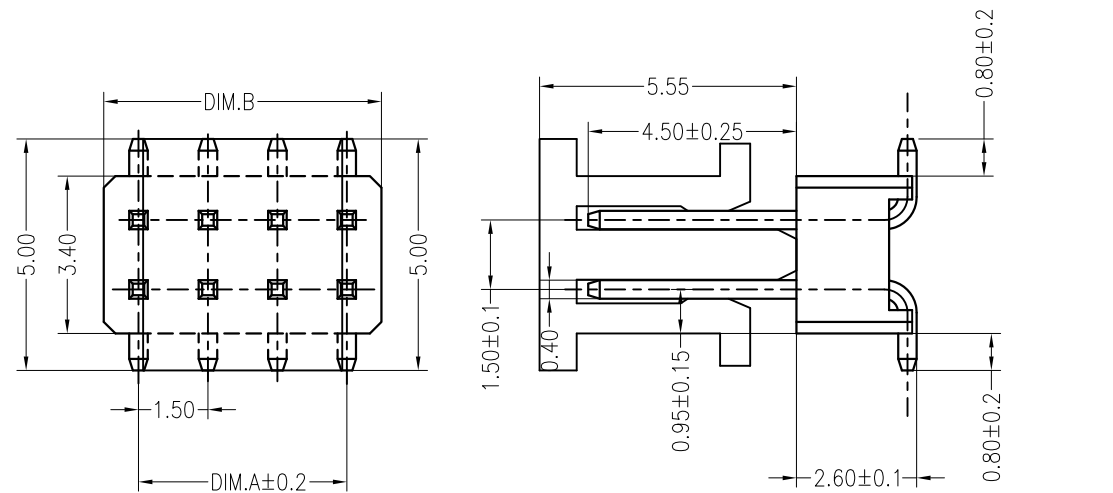
PIN.	DIM A	DIM B
2*2	1.50	3.00
2*3	3.00	4.50
2*4	4.50	6.00
2*5	6.00	7.50
2*6	7.50	9.00
2*7	9.00	10.50
2*8	10.50	12.00

ITEM	COMPONENT	Q'TY	MATERIAL	FINISH
C				
B	CONTACT	n PCS	Brass	MATTE Sn-plated
A	HOUSING	1 PCS	LCP	UL 94V-0, COLOR:BEIGE

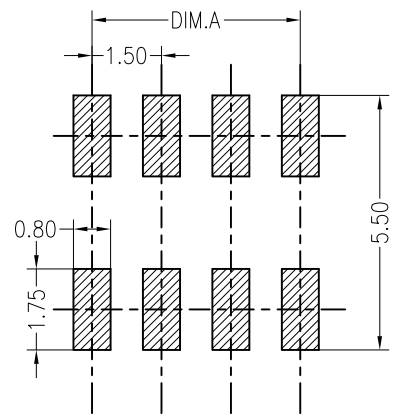
<b>东莞市高迪电子有限公司</b> DONG GUAN GAO DI ELECTRONICS CO., LTD		TITLE: -	
X.±0.5	X.±5'	USE:	PART NO.:
.X±0.3	.X±2'	CUSTOMER	L1501AWR-2**-F6MB2-R-1
.XX±0.25	.XX±1'	APPD:	DWG NO.:
--	--	刘振岭	GCCP-1248
		CHKD:	SCALE
		王亮	1 : 1
		DR:	SHEET
		蒋建银	1 / 1

REV	DESIGN	DATE
A0	蒋建银	2019.02.28
-	-	-



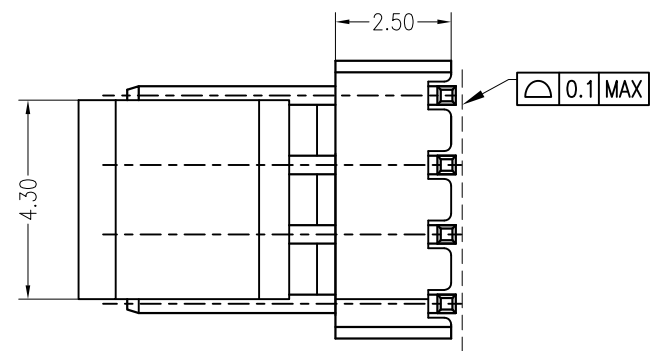
### 主要技术参数 Main Specifications

- 线数 (Poles): 04 to 16
- 接触电阻 (Contact resistance):  $\leq 30m\Omega$
- 绝缘电阻 (Insulation resistance):  $\geq 500M\Omega$
- 额定电压 (Rated voltage): 250V AC DC
- 额定电流 (Rated current): 1.0A AC DC
- 耐电压 (Withstand Voltage): 500V AC/minute
- 温度范围 (Temperature Range):  $-40^{\circ}C \sim +110^{\circ}C$



Board Layout

General Tolerance:  $\pm 0.05$



### ORDER INFORMATION:

**L1501AWV-2\*\*-F6MB2-R-2**

PART No.:	Special code:
No. OF CIRCUITS:	2=4.5*0.8
2*2~2*8	PACKAGING:
PLASTIC MATERIAL:	R=REEL
F6M=LCP(BEIGE)	Metal code:
PLATING:	2=Brass
B=MATTE Sn	

PIN.	DIM A	DIM B	ITEM	COMPONENT	Q'TY	MATERIAL	FINISH
2*2	1.50	3.00	C	CAP	1 PCS	LCP	UL 94V-0, COLOR:BEIGE
			B	CONTACT	** PCS	Brass	MATTE Sn-plated
2*3	3.00	4.50	A	HOUSING	1 PCS	LCP	UL 94V-0, COLOR:BEIGE
2*4	4.50	6.00					
2*5	6.00	7.50					
2*6	7.50	9.00					
2*7	9.00	10.50					
2*8	10.50	12.00					



TITLE: -  
-  
PART NO.: L1501AWV-2\*\*-F6MB2-R-2  
DWG NO.: GCKH-1253  
SCALE: 1 : 1  
SHEET: 1 / 1

USE: CUSTOMER  
APPD: 邵敬和  
CHKD: 曾令青  
DR: 蒋建银  
UNITS: mm